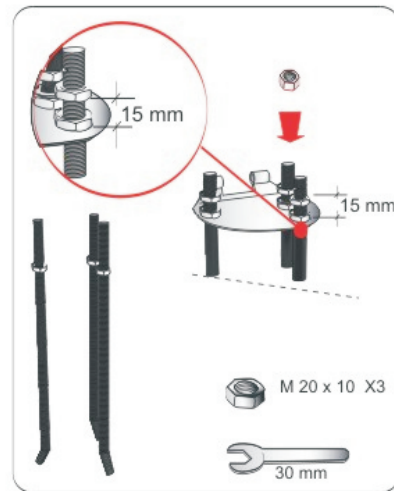
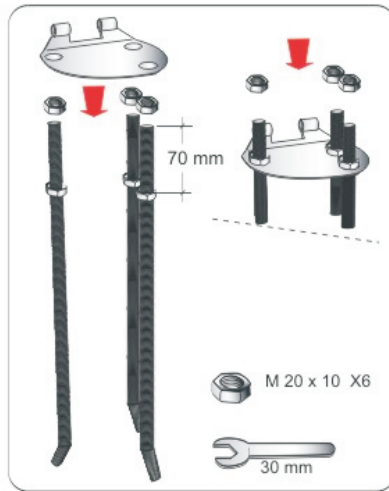


# Montageinstructie vlaggenmast in tuingrond



1 2 3 4  
Beton  
90°  
B  
2-300 mm  
A

Grond - Aarde

| M     | 6-8 m | 9 m | 10 m | 12 m |
|-------|-------|-----|------|------|
| A= mm | 300   | 300 | 400  | 400  |
| B= mm | 800   | 900 | 1000 | 1200 |

